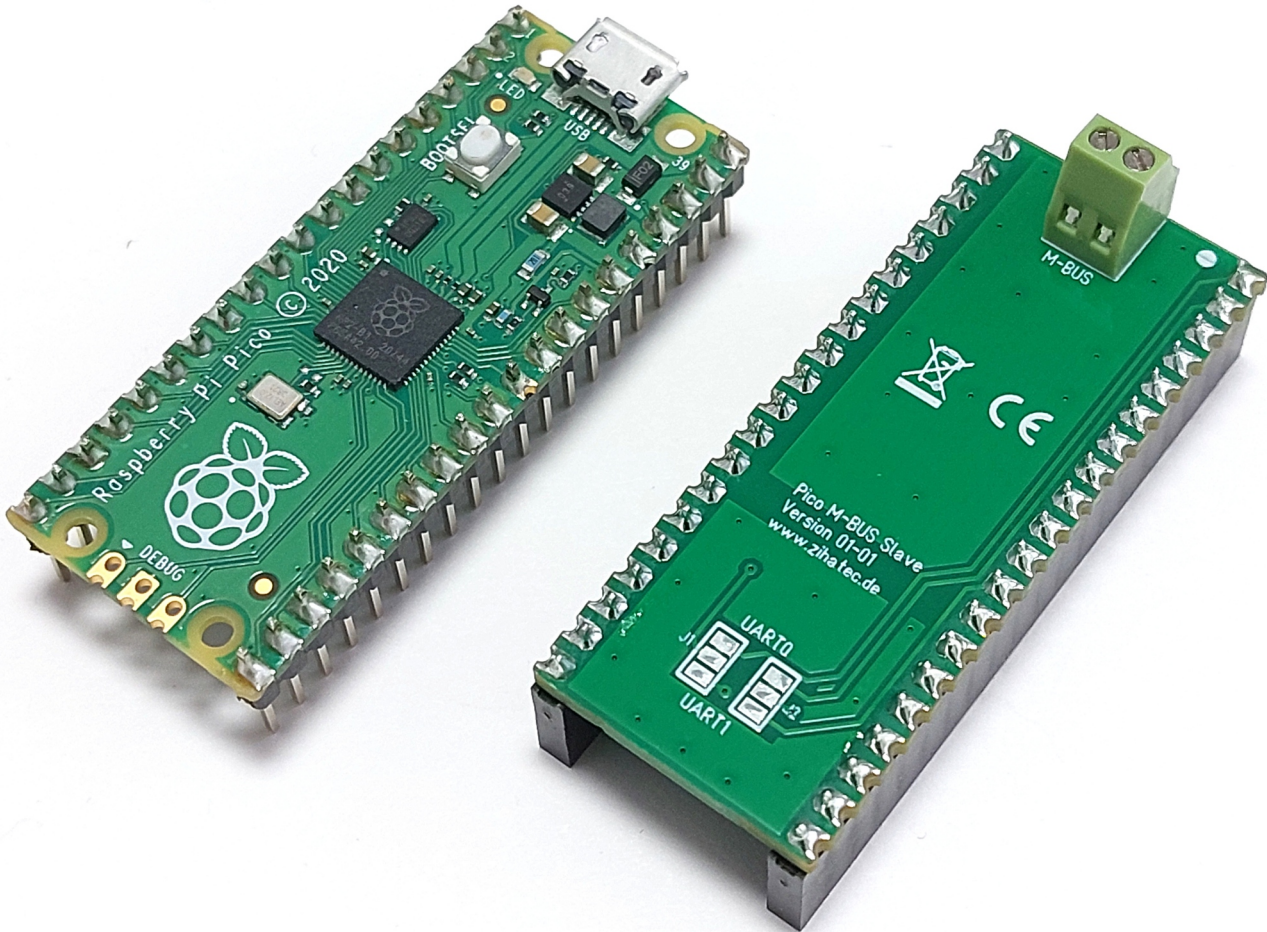


M-Bus Slave HAT



for Raspberry Pi Pico



Features:

- M-Bus (Meter-Bus) slave node
- uses the Texas Instruments TSS721A meter bus transceiver IC
- Compatible to European standard EN13757-2 and EN1434-3
- for reading of smart meters with P1 interface
- for constructing your own meters
- Galvanically isolated interface
- Miniature screw terminals for bus connection
- UART selection via soldering jumpers
- Soldered female headers
- For Raspberry Pi Pico only

M-Bus Slave HAT

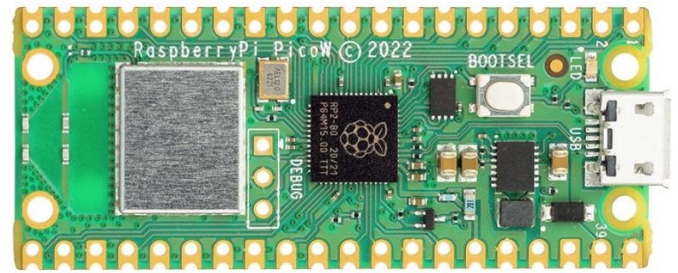


for Raspberry Pi Pico

Compatibility :



Raspberry Pi Pico (H)

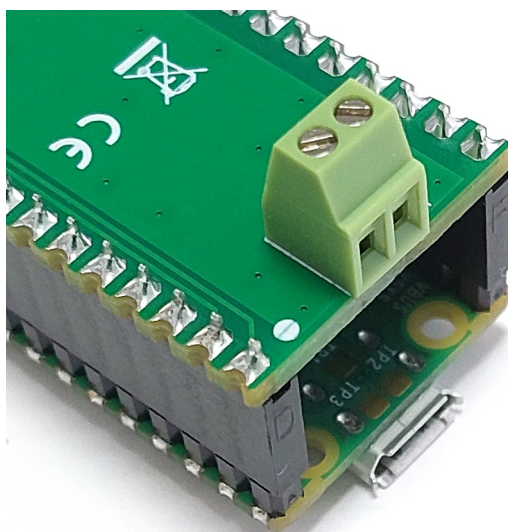
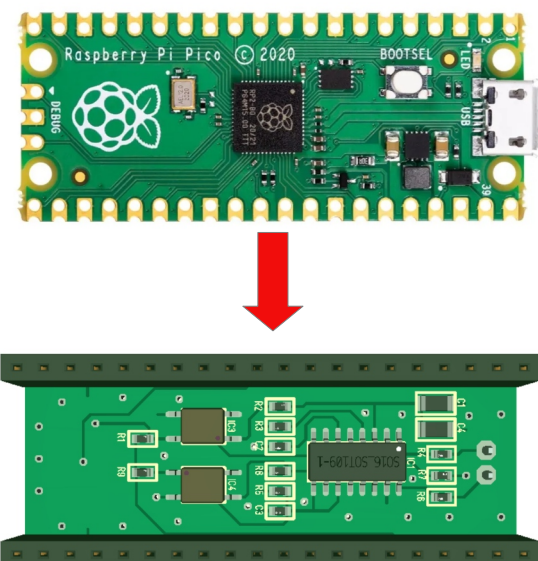


Raspberry Pi Pico W(H)

Part number table:

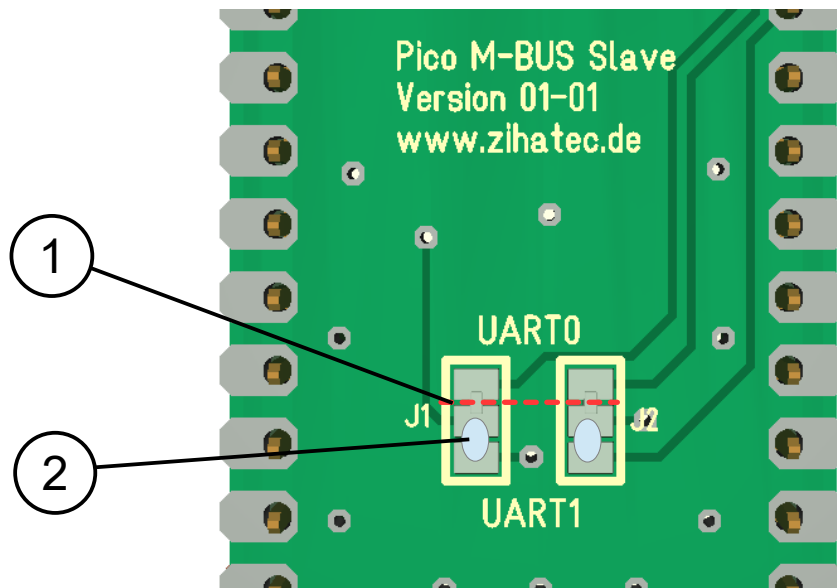
Part-No.	EAN	Version
RPIPHTS	0676424951473	Pico MBUS Slave HAT with soldered female headers

Connection:



UART selection via soldering jumpers:

UART0 (GP1 and GP2) is selected on delivery. Alternatively, UART1 (GP8 and GP9) can also be selected via the solder jumpers on the top:



- ① cut existing connections for UART0
- ② solder new connections for UART1

Used Raspberry Pi Pico Pins:

Depending on the selected UART via jumpers different pins are used:

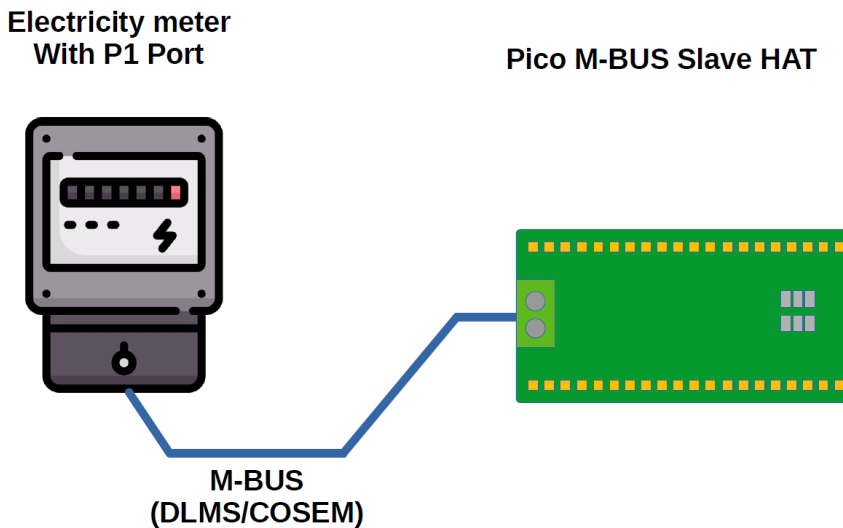
Function	UART0	UART1
TX	GP0 (1)	GP8 (11)
RX	GP1 (2)	GP9 (12)
3.3V	36	
GND	18, 23	

M-Bus Master HAT

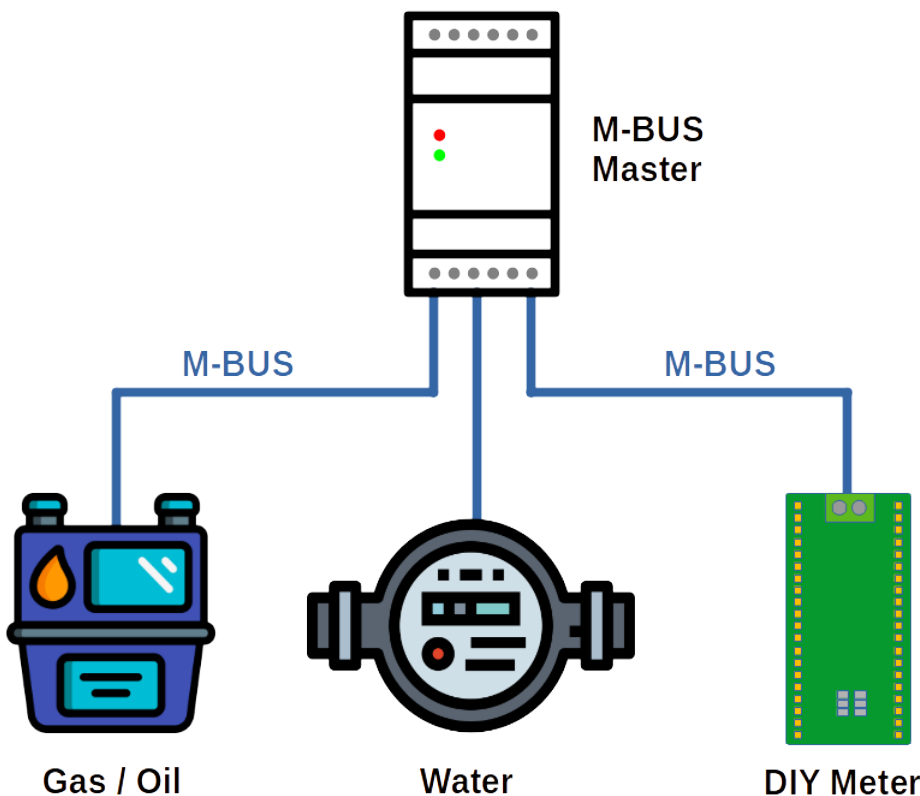


for Raspberry Pi Pico

Using the M-BUS slave to read meters with P1 Port:



Using the M-BUS slave as an interface and for DIY meters:

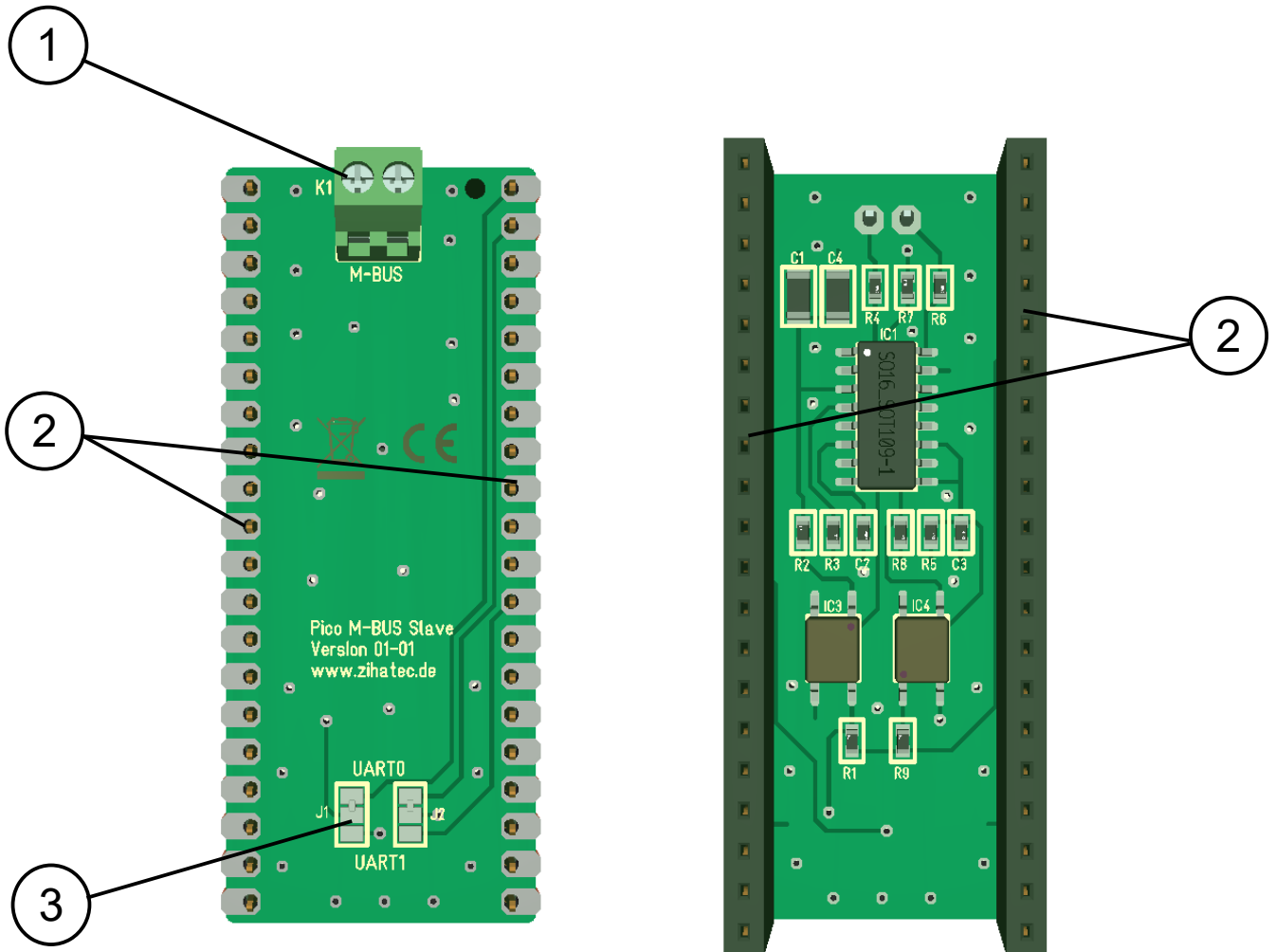


M-Bus Master HAT



for Raspberry Pi Pico

Control Elements:



Top view

Bottom view

- ① M-Bus terminal
- ② headers for Raspberry Pi Pico boards
- ③ soldering jumper for UART selection