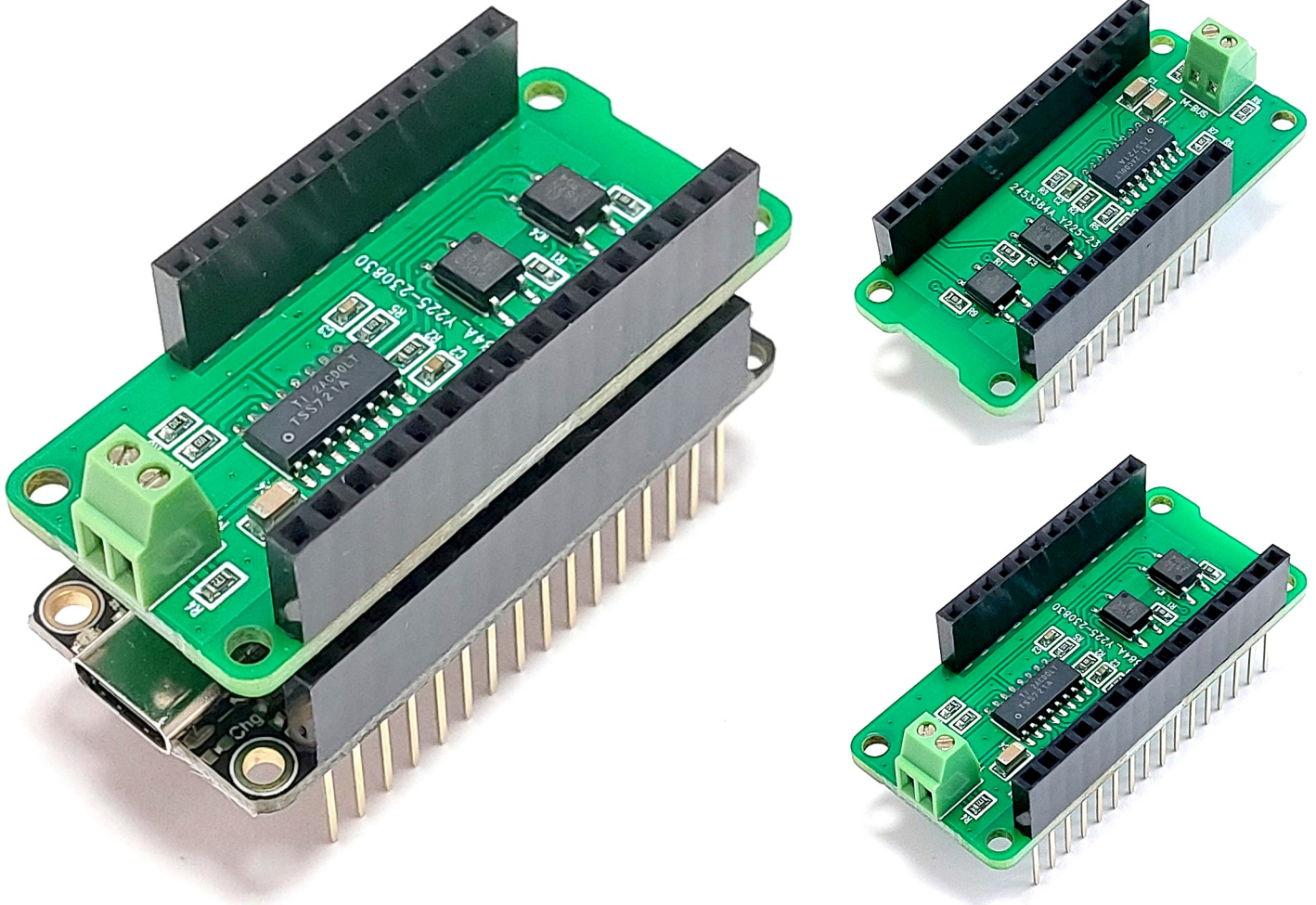


M-Bus Slave Featherwing



for Feather style microcontroller boards



Features:

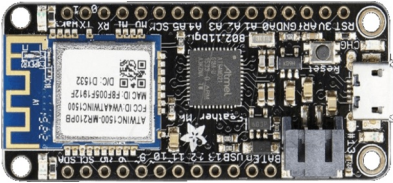
- M-Bus (Meter-Bus) slave node
- uses the Texas Instruments TSS721A meter bus transceiver IC
- Compatible to European standard EN13757-2 and EN1434-3
- for reading of smart meters with P1 interface
- for constructing your own meters
- Galvanically isolated interface
- Miniature screw terminals for bus connection
- Optional Stacked headers
- For Feather microcontroller boards

M-Bus Slave Featherwing

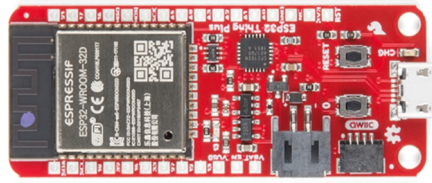


for Feather style microcontroller boards

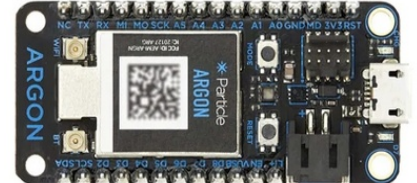
Compatibility :



Adafruit™ Feather boards



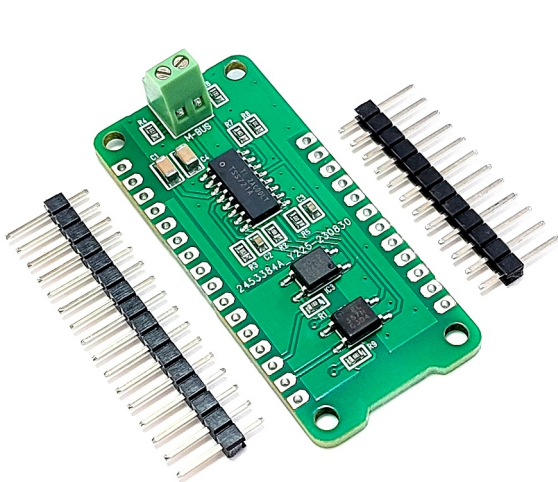
Sparkfun™ Thing Plus boards



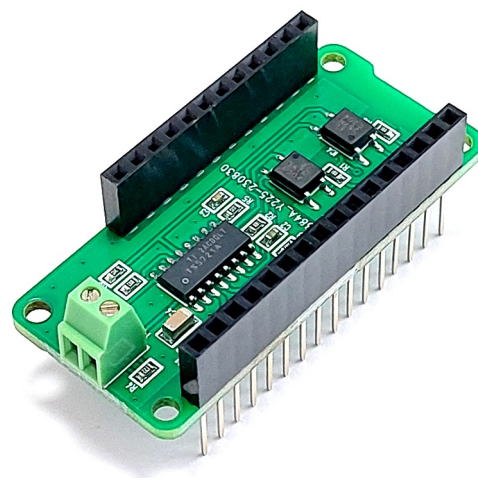
Particle™ Boron/Argon

Part number table:

| Part-No. | EAN | Version |
|----------|---------------|---|
| FEAWMSH | 0676424951428 | MBUS Slave Feather wing with unsoldered male headers |
| FEAWMSS | 0676424951435 | MBUS Slave Feather wing with soldered stacked headers |



FEAWMSH



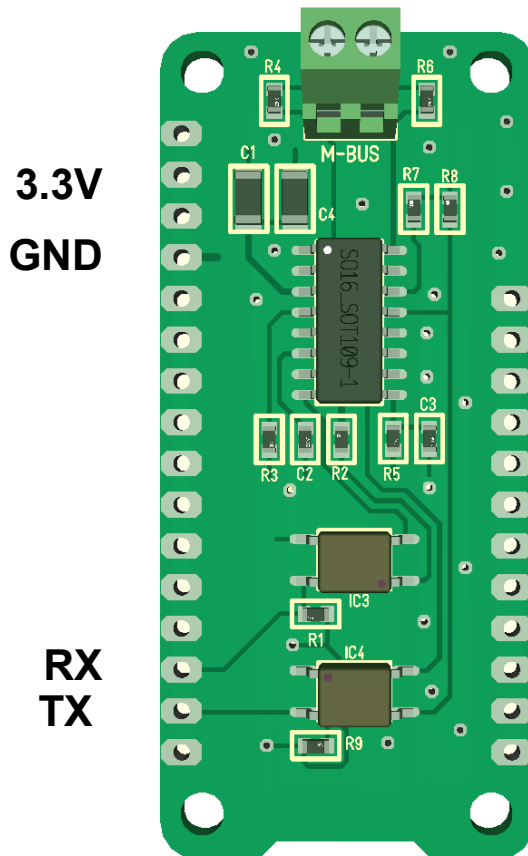
FEAWMSS

M-Bus Slave Featherwing



for Feather style microcontroller boards

Used Feather Pins:



Applications:

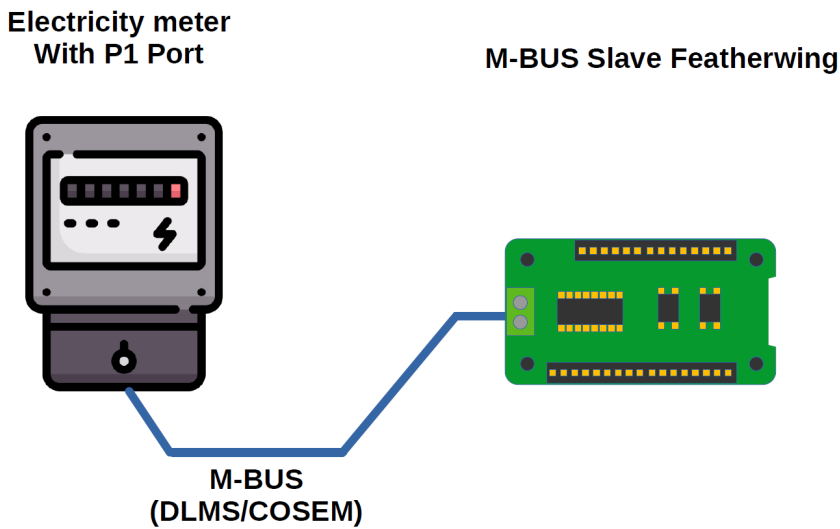
- Reading smart meters with P1 interface
- Design of own diy meters
- Interface for converting external data into MBUS protocols
- Remote sensor reading
- Remote control via M-Bus

M-Bus Slave Featherwing

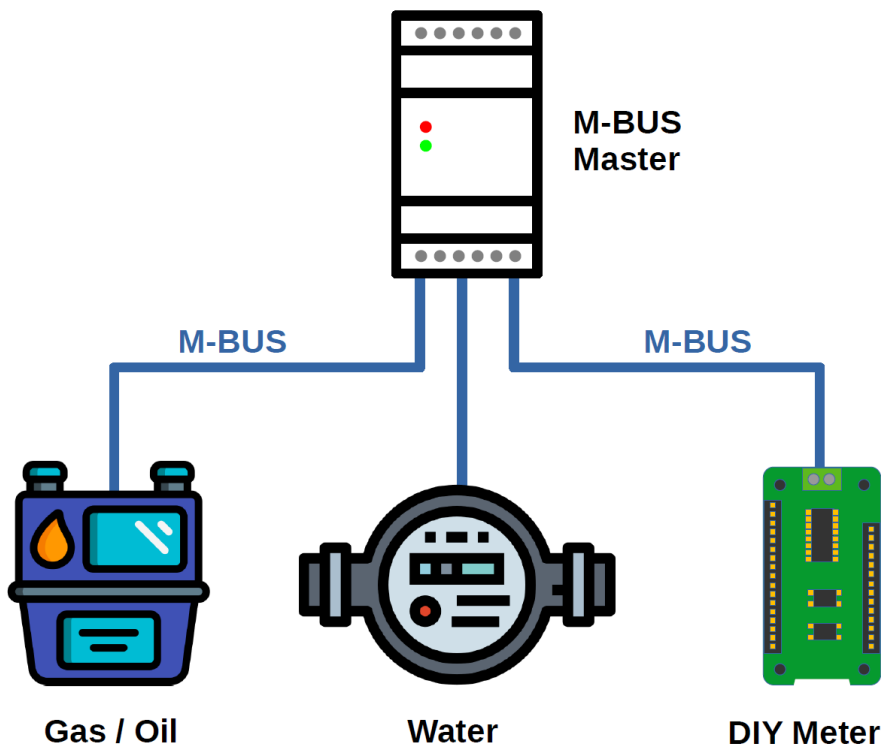


for Feather style microcontroller boards

Using the M-BUS slave to read meters with P1 Port:



Using the M-BUS slave as an interface and for DIY meters:

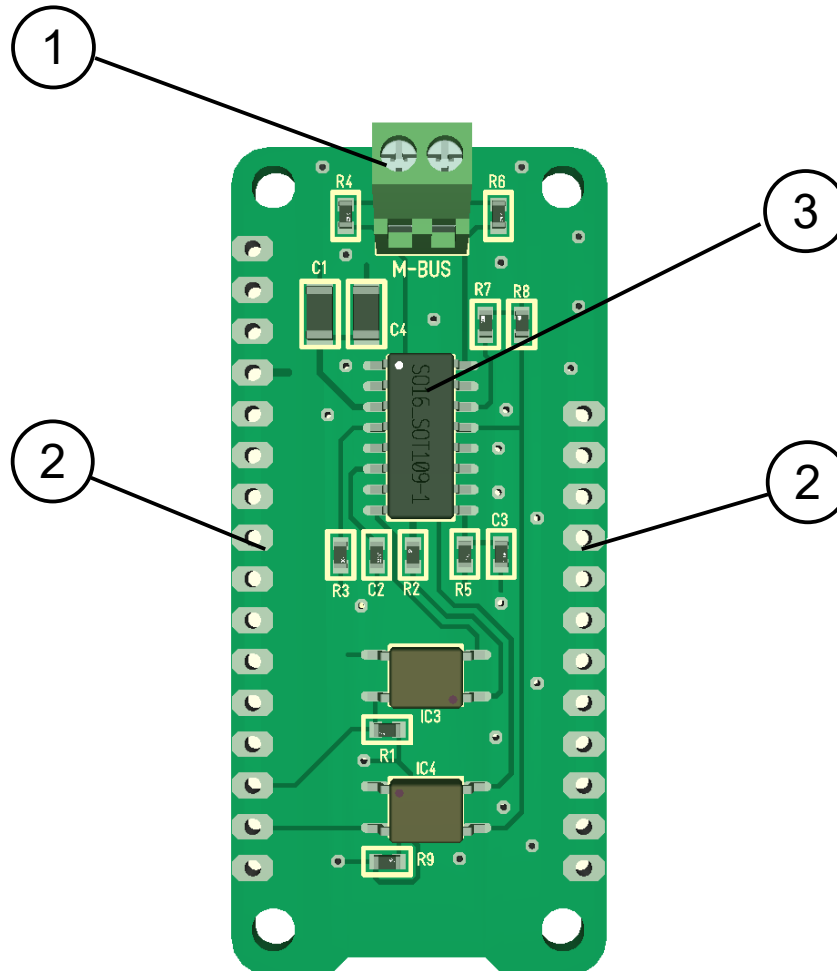


M-Bus Slave Featherwing



for Feather style microcontroller boards

Control Elements:



- ① M-Bus terminal
- ② headers for Feather boards
- ③ TSS721