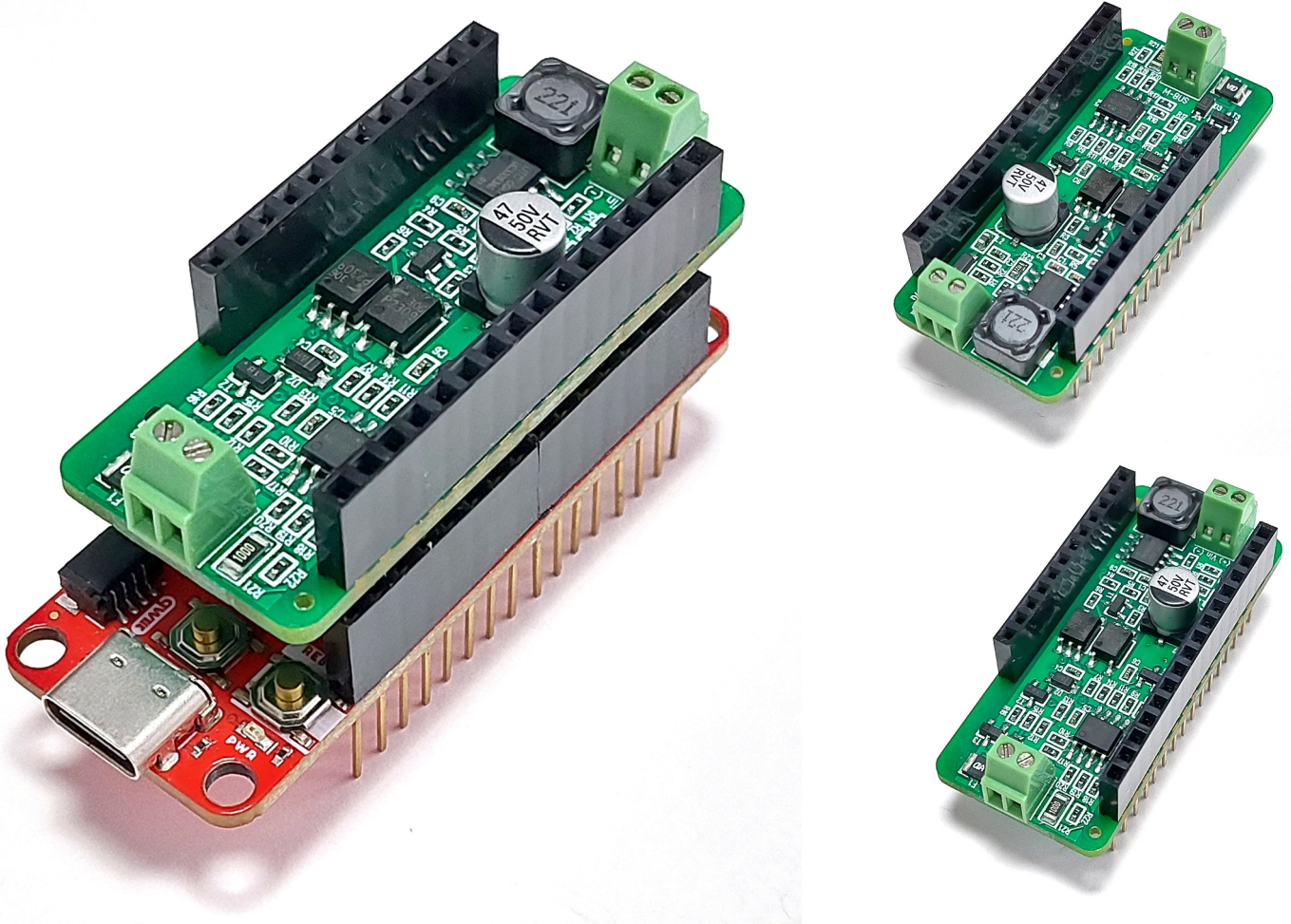


# M-Bus Master Shield



for feather shaped microcontroller boards

---



## Features:

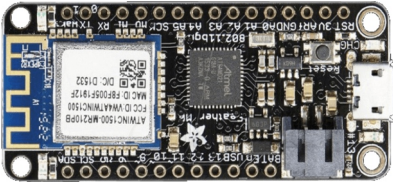
- M-Bus (Meter-Bus) master
- Compatible to European standard EN 13757-2
- For the remote reading of consumption meters
- For up to 6 unit-loads (9mA)
- External DC power supply (9...30V) needed
- Galvanically isolated interface
- Miniature screw terminals for bus and power supply connection
- Optional Stacked headers
- For Feather microcontroller boards and compatible boards

# M-Bus Master Shield

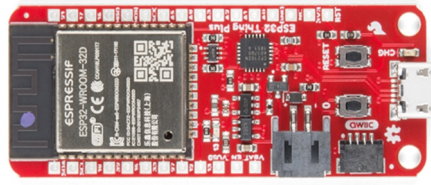


for feather shaped microcontroller boards

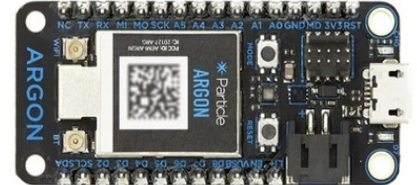
## Compatibility :



Adafruit™ Feather boards



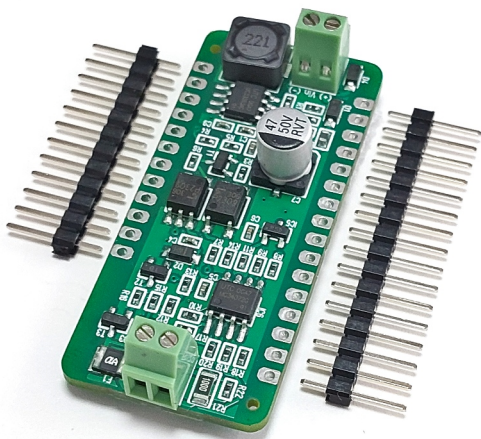
Sparkfun™ Thing Plus boards



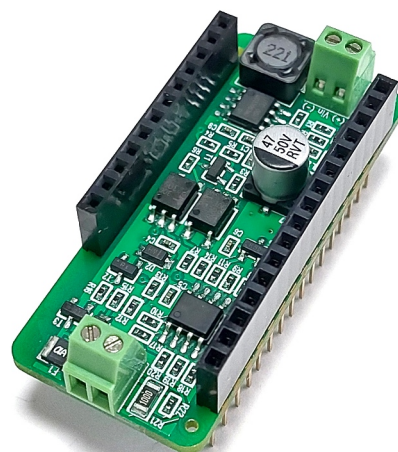
Particle™ Boron/Argon

## Part number table:

Part-No.	EAN	Version
FEAWMMH	0676424951442	MBUS Master Feather wing with unsoldered male headers
FEAWMMS	0676424951459	MBUS Master Feather wing with soldered stacked headers



FEAWMMH



FEAWMMS

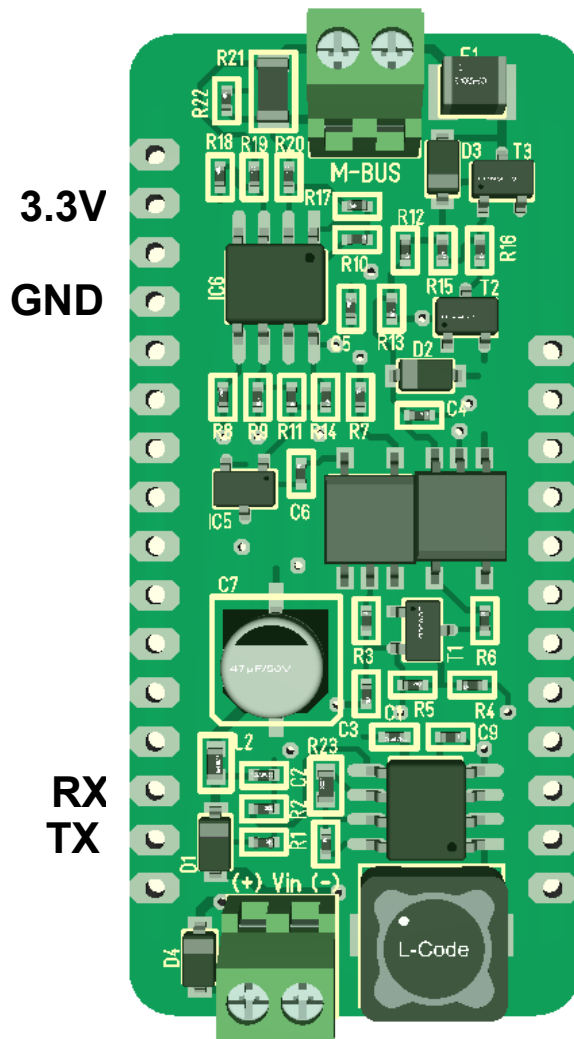
# M-Bus Master Shield



for feather shaped microcontroller boards

---

## Used Feather Pins:



# M-Bus Master Shield

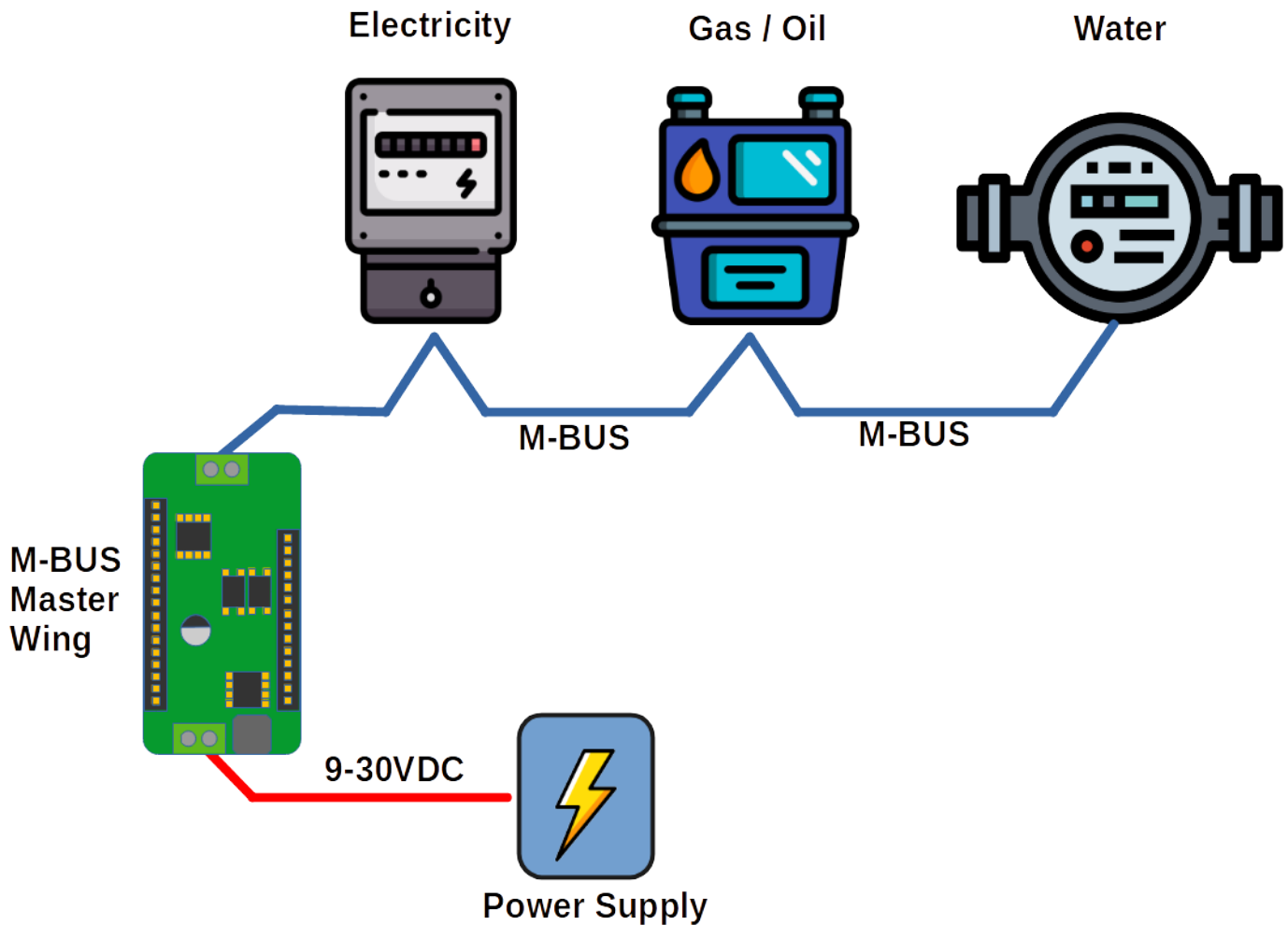


for feather shaped microcontroller boards

---

## Applications:

- Smart home
- Smart metering
- Green (solar) energy monitoring
- Remote sensor reading
- Remote control via M-Bus



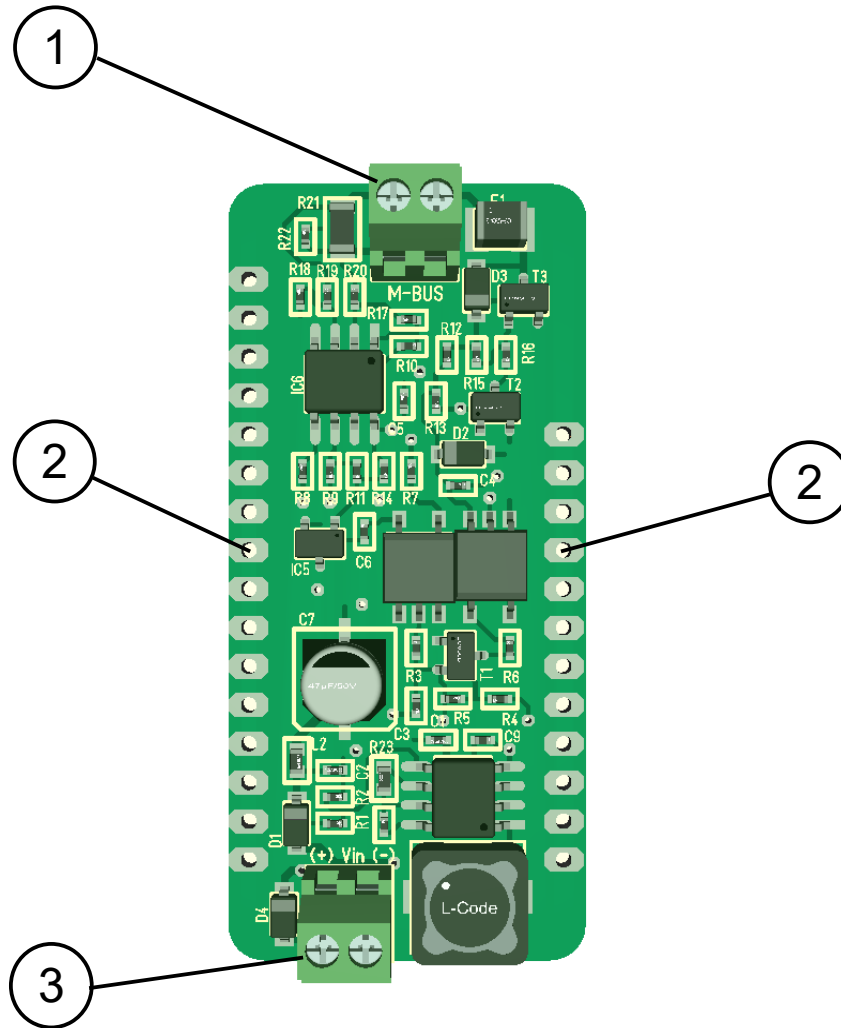
# M-Bus Master Shield



for feather shaped microcontroller boards

---

## Control Elements:



- ① M-Bus terminal
- ② headers for Feather boards
- ③ terminal for power supply