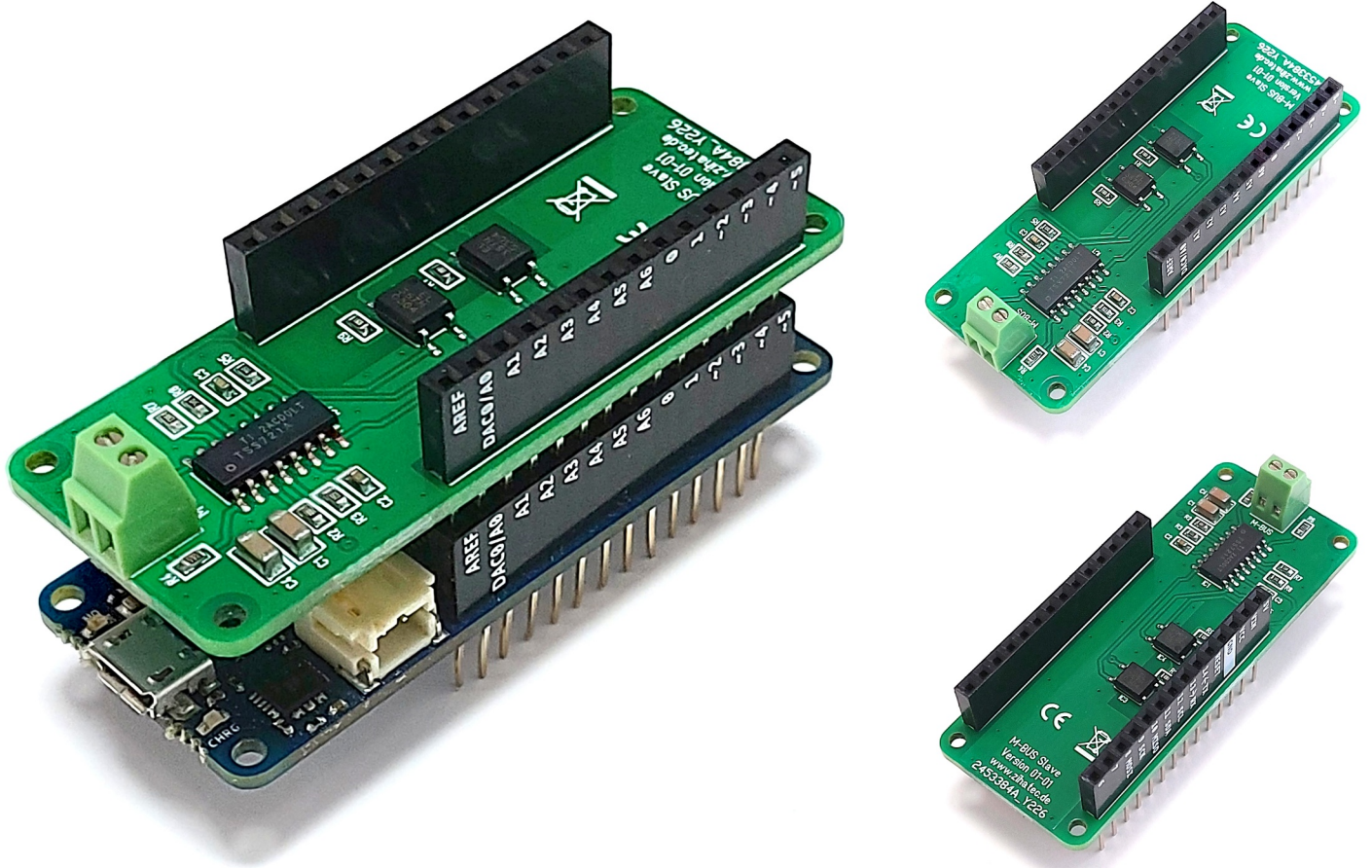


M-Bus Slave Shield



for Arduino MKR series



Features:

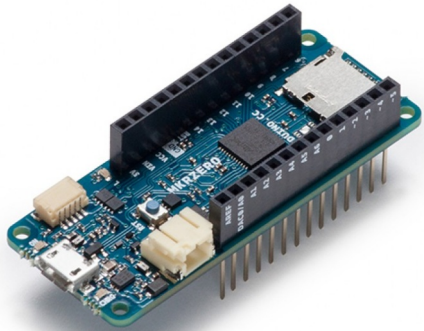
- M-Bus (Meter-Bus) slave node
- uses the Texas Instruments TSS721A meter bus transceiver IC
- Compatible to European standard EN13757-2 and EN1434-3
- for reading of smart meters with P1 interface
- for constructing your own meters
- Galvanically isolated interface
- Miniature screw terminals for bus connection
- Stacked headers
- For Arduino MKR series and Arduino Portenta series only

M-Bus Slave Shield



for Arduino MKR series

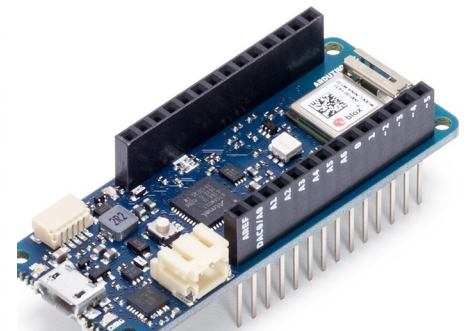
Compatible Arduino MKR Boards:



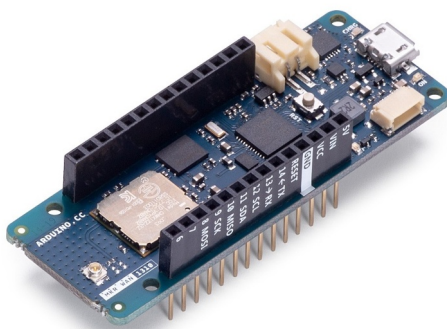
Arduino MKR ZERO



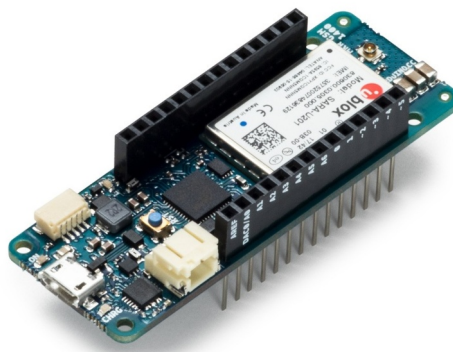
Arduino MKR1000



Arduino MKR WiFi 1010



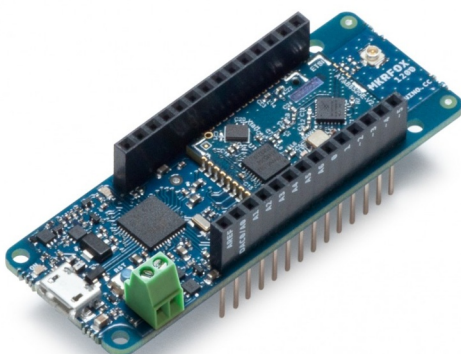
Arduino MKR WAN 1300/1310



Arduino MKR GSM 1400



Arduino MKR NB 1500



Arduino MKR FOX 1200



Arduino Portenta Family

M-Bus Slave Shield



for Arduino MKR series

Part number table:

Part-No.	EAN	Version
ARDMKMS	0676424951527	Arduino MKR MBUS Slave Shield

Used Arduino MKR Pins:

- 13 – RX
- 14 – TX

Applications:

- Reading smart meters with P1 interface
- Design of own diy meters
- Interface for converting external data into MBUS protocols
- Remote sensor reading
- Remote control via M-Bus

M-Bus Slave Shield

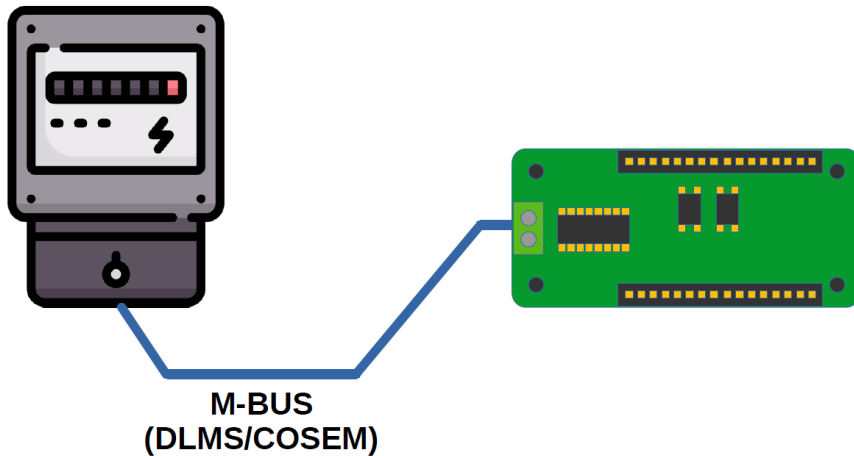


for Arduino MKR series

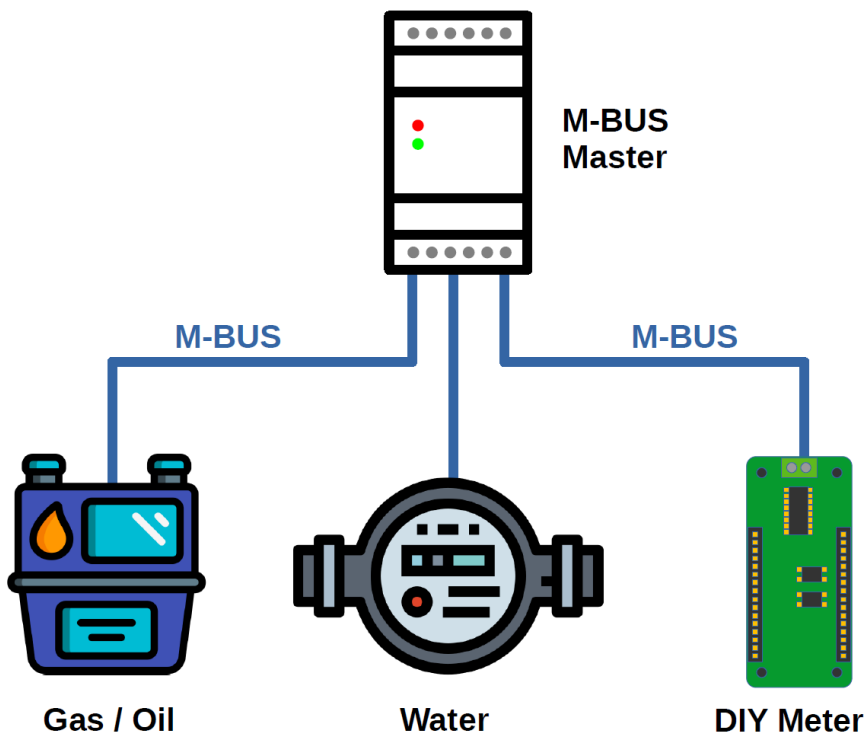
Using the M-BUS slave to read meters with P1 Port:

Electricity meter
With P1 Port

M-BUS Slave Shield



Using the M-BUS slave as an interface and for DIY meters:

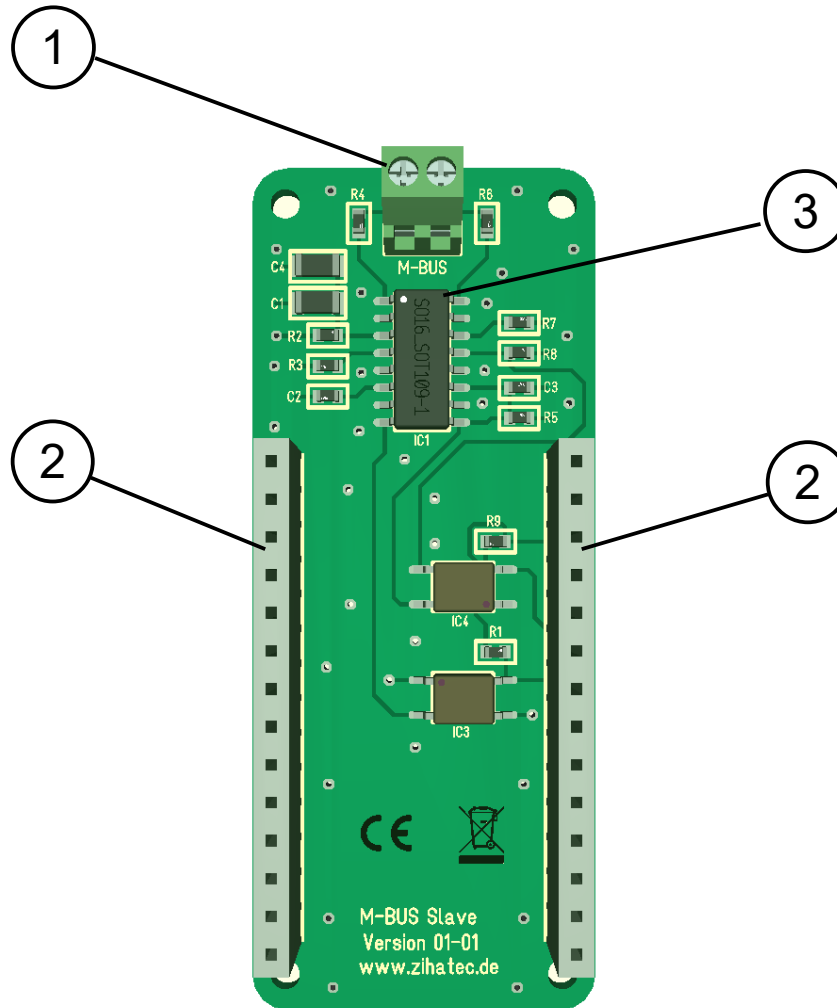


M-Bus Slave Shield



for Arduino MKR series

Control Elements:



- ① M-Bus terminal
- ② stacked headers for Arduino MKR boards
- ③ TSS721