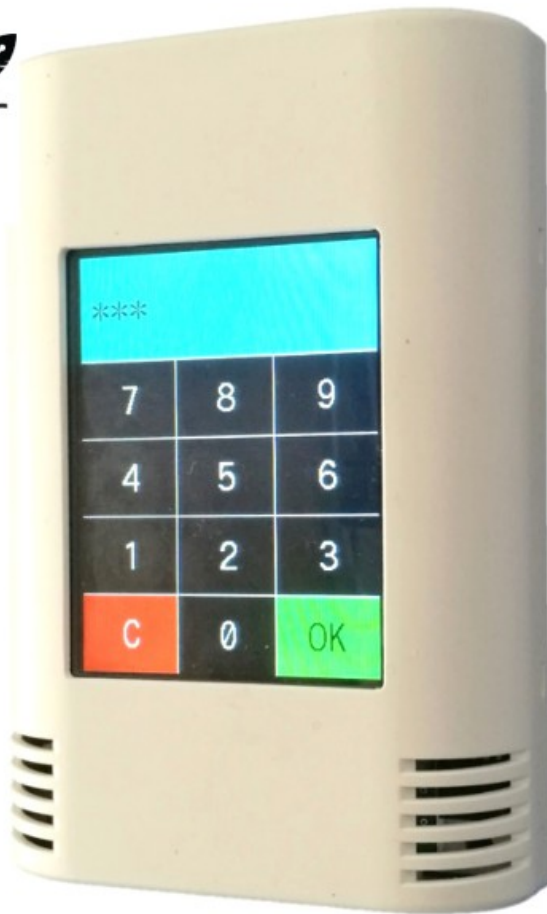


AZ-Touch Feather

Top wall enclosure with touchscreen for Feather boards

feather 



Features enclosure and pcb:

- top wall mounting enclosure
- 2,8 inch (7,11 cm) tft screen with 320 x 240 pixel resolution
- SPI display controller ILI9341
- Resistive touch with SPI touch controller XPT2046
- Integrated 5V/1.7A voltage regulator (Vin 9...35V DC)
- Integrated prototyping area
- 6-pin removable terminal block for prototyping area & power supply
- Marked and connected GPIO & power pins beside the proto area
- Integrated piezo beeper
- Plug-in positions for feather shaped microcontroller boards
- Vented cover to allow through air flow

AZ-Touch Feather

Top wall enclosure with touchscreen for Feather boards

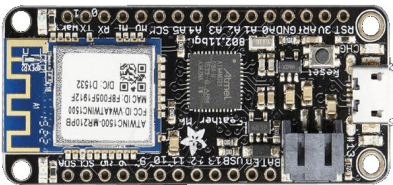
Enclosure:

- Outside dimensions: 120mm x 80mm x 35mm (W x H x D)
- Breadboard area: 43mm x 39mm (W x H)
- Material: ABS
- Finish top shell: white
- Finish bottom shell: white

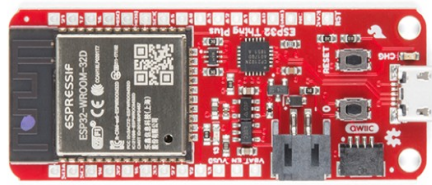
Features voltage regulator:

- Input voltage: 15 – 30V DC
- Output voltage: 5V / 1.7A DC

Compatibility :



Adafruit™ Feather boards



Sparkfun™ Thing Plus boards



Particle™ Boron/Argon

Applications :

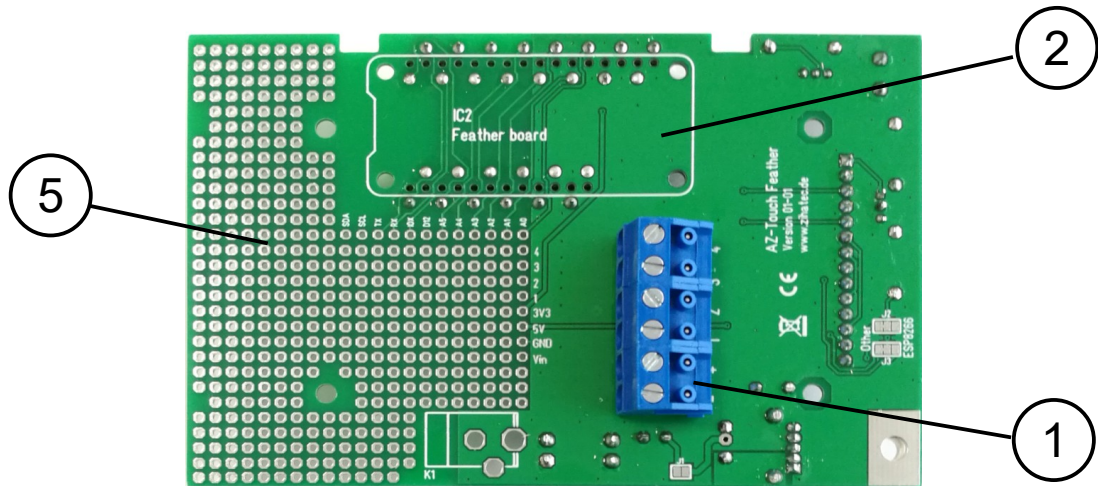
- Home automation
- Door access and door control
- HVAC applications
- Internet of Things (IoT)
- Intelligent wireless light switch
- Metering
- Intruder alarm systems

AZ-Touch Feather

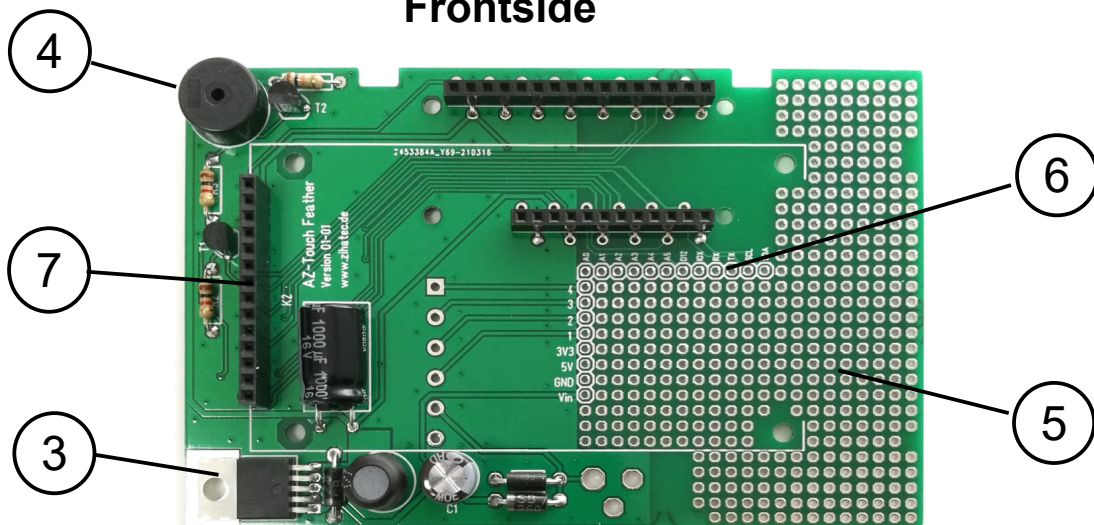
Top wall enclosure with touchscreen for Feather boards

Features main board:

Backside



Frontside

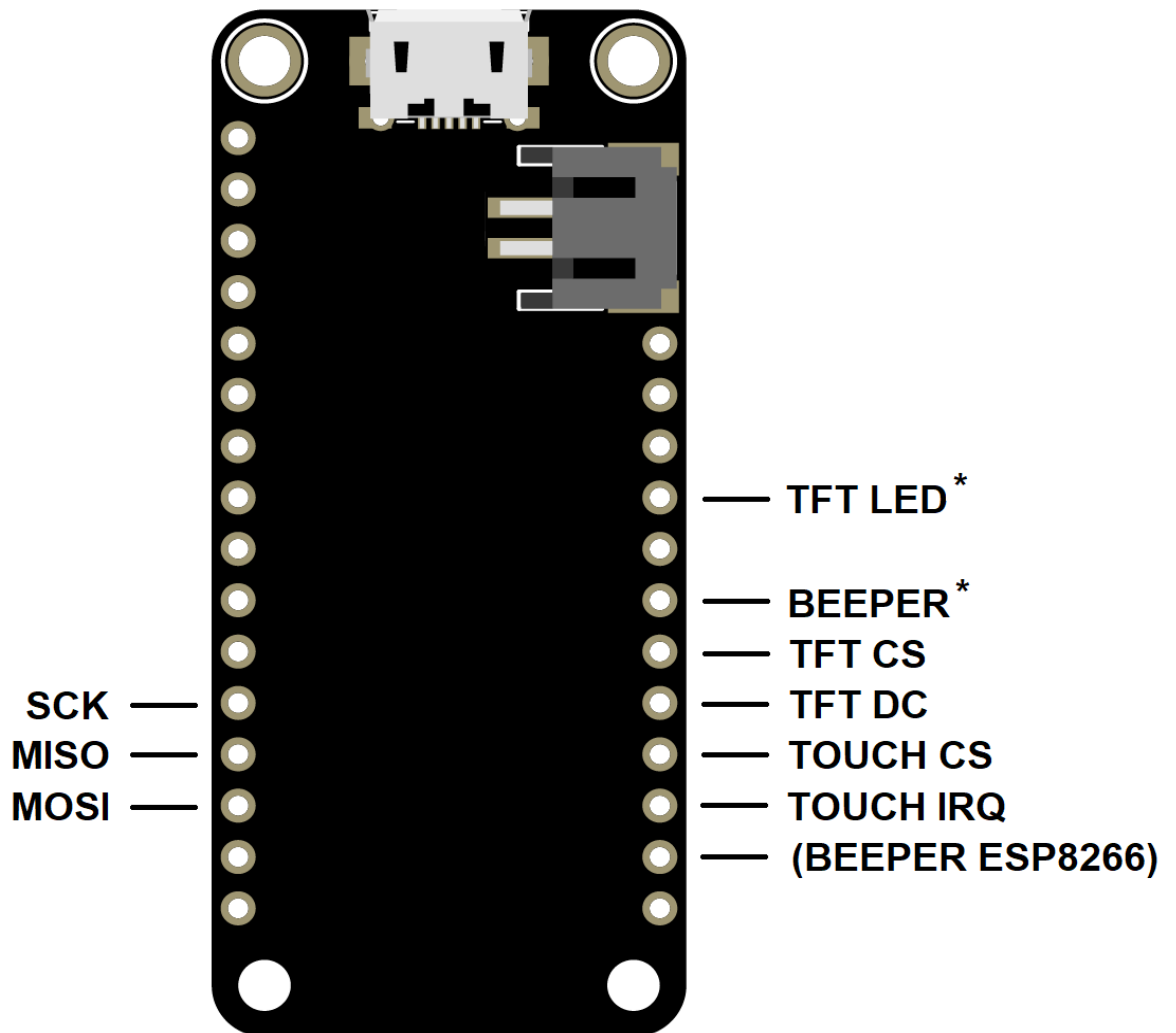


- ① Terminal for power supply & proto board
- ② Socket for Feather shaped microcontroller board
- ③ Voltage regulator (9..35V Vin / 5V Vout)
- ④ Piezo beeper
- ⑤ Breadboard / proto board area
- ⑥ GPIO pins for proto board
- ⑦ Header for touch screen

AZ-Touch Feather

Top wall enclosure with touchscreen for Feather boards

Used pins of feather board:



* Please note: For HuzzahESP8266 the Beeper is on 5 and the TFT_LED pin is not in use.